



### Specifications & Features

- Screwed female ends to BSP.
- Full bore & perfect right angle to ensure unobstructed flow.
- High quality antirust coating on threads.
- Hot galvanised with uniform zinc coating.
- Superior grade malleability to ensure crack free installation.
- Heavy pattern & superb in quality and performance.
- Functionally sturdy and visually attractive.
- Full threaded length with precise right angle in the side outlet elbow for a two sided diversion.

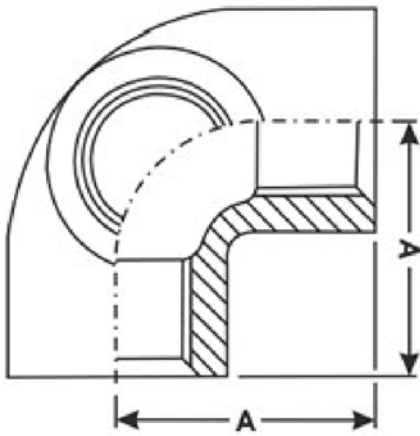
### Suitable For

Steam	Water	Oil	Air	Gases
○	●	●	●	●

### Test Pressure

25kg/cm<sup>2</sup>g (Hydraulic)

### Dimensional Data



Nominal Size (mm)	A	+/-
15	36	2
20	39	2
25	43	2
32	47	2
40	53	2.5
50	62	2.5
65	71	2.5
80	82	3
100	100	3