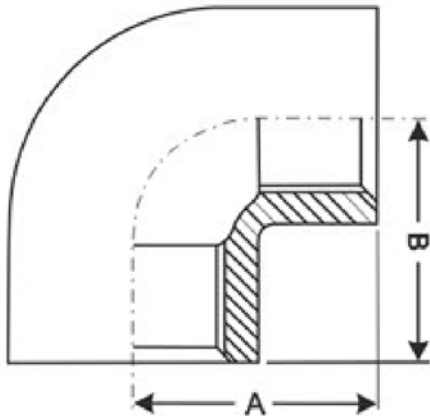




Specifications & Features

- Screwed female ends to BSP.
- Full bore & perfect right angle to ensure unobstructed flow.
- High quality antirust coating on threads.
- Hot galvanised with uniform zinc coating.
- Superior grade malleability to ensure crack free installation.
- Heavy pattern & superb in quality and performance.
- Functionally sturdy and visually attractive.
- Full threaded length and perfectly right angled to 90°.

Dimensional Data



Nominal Size (mm)	A	+-	B	+-
20 x 15	36	2	35	2
25 x 15	39	2	36	2
32 x 15	44	2	37	2
40 x 15	47	2	38	2
50 x 15	52	2.5	39	2
65 x 15	59	2.5	42	2
80 x 15	67	2.5	45	2
100 x 15	80	3	48	2
25 x 20	40	2	39	2
32 x 20	45	2	40	2
40 x 20	48	2	41	2
50 x 20	53	2.5	42	2
65 x 20	60	2.5	45	2
80 x 20	68	2.5	48	2
100 x 20	81	3	51	2.5
32 x 25	46	2	42	2
40 x 25	49	2	45	2
50 x 25	54	2.5	48	2
65 x 25	62	2.5	49	2
80 x 25	69	2.5	51	2.5
100 x 25	82	3	55	2.5
40 x 32	50	2	48	2
50 x 32	58	2.5	51	2.5
65 x 32	65	2.5	53	2.5
80 x 32	70	2.5	56	2.5
100 x 32	85	3	62	2.5
50 x 40	58	2.5	54	2.5
65 x 40	66	2.5	56	2.5
80 x 40	73	2.5	58	2.5
100 x 40	85	3	66	2.5
65 x 50	67	2.5	62	2.5
80 x 50	74	2.5	64	2.5
100 x 50	85	3	68	2.5
80 x 65	76	3	72	2.5
100 x 65	89	3	76	3
100 x 80	92	3	84	3

Suitable For

Steam	Water	Oil	Air	Gases
○	●	●	●	●

Test Pressure

25kg/cm²g (Hydraulic)