



Specifications & Features

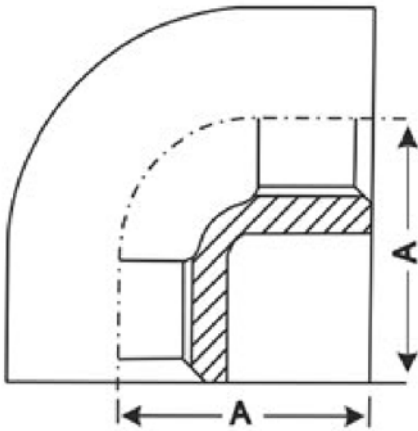
- Screwed female ends to BSP.
- Full bore & perfect right angle to ensure unobstructed flow.
- High quality antirust coating on threads.
- Hot galvanised with uniform zinc coating.
- Superior grade malleability to ensure crack free installation.
- Heavy pattern & superb in quality and performance.
- Functionally sturdy and visually attractive.
- Full threaded length and perfectly right angled to 90°.

Suitable For

Steam	Water	Oil	Air	Gases
○	●	●	●	●

Test Pressure

25kg/cm²g (Hydraulic)



Dimensional Data

Nominal Size (mm)	A	+ -
15	36	2
20	39	2
25	43	2
32	47	2
40	53	2.5
50	62	2.5
65	71	2.5
80	82	3
100	100	3
150	135	3.5